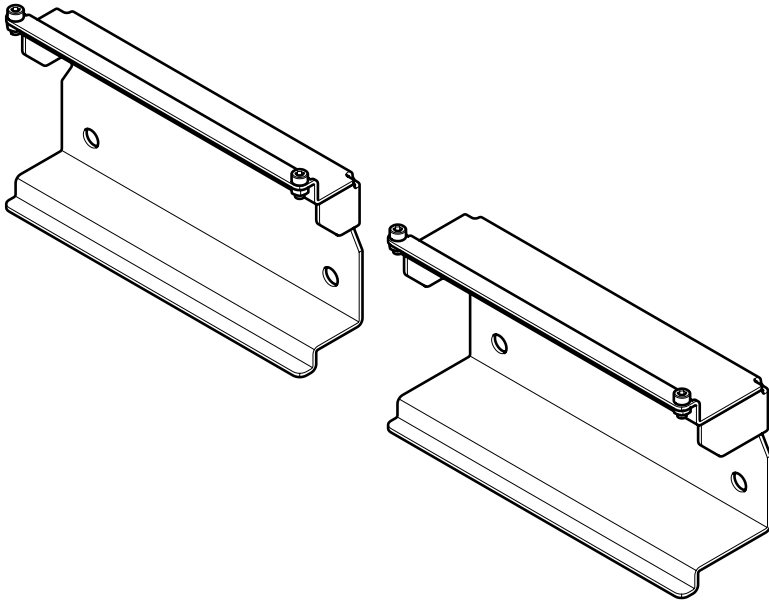


Installation Guide

SPDS2124 + SPDS2125

Wall brackets for Hook & Rail





CAUTION

This product must be installed by a professional installer.

This product is designed to be wall mounted. Before installing please verify that the wall can bear the combined weight of the solution and hardware. Standard fixings for wooden material and fixings for concrete material are supplied as part of the product, but they will not be suitable for all types of walls.

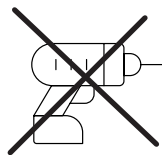
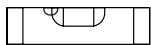
It is the responsibility of the installer to use the appropriate fixings for the specific installation location.

The maximum weight limit for this product is 150 kg. Do not exceed the stated weight limit.

This product is intended for indoor use only. If these installation instructions are not followed precisely, it could lead to product failure and potential personal injury.

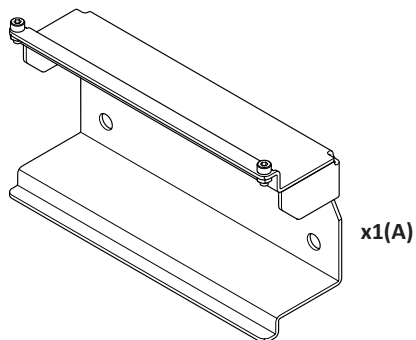
Ergonomic Solutions cannot be held responsible for any failure or injury, if the installation instructions are not followed correctly.

Tool list

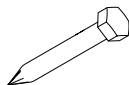


Box content

SPDS2124



4x M8 washer



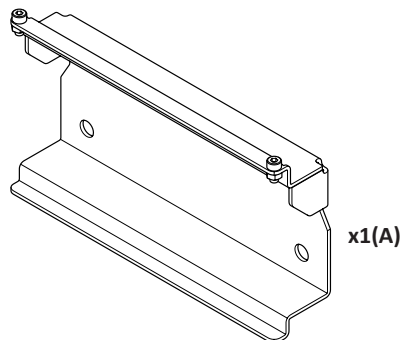
4x (M8 x 60)



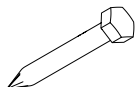
4x (M10 x 50 plugs)

OR

SPDS2125



4x M8 washer

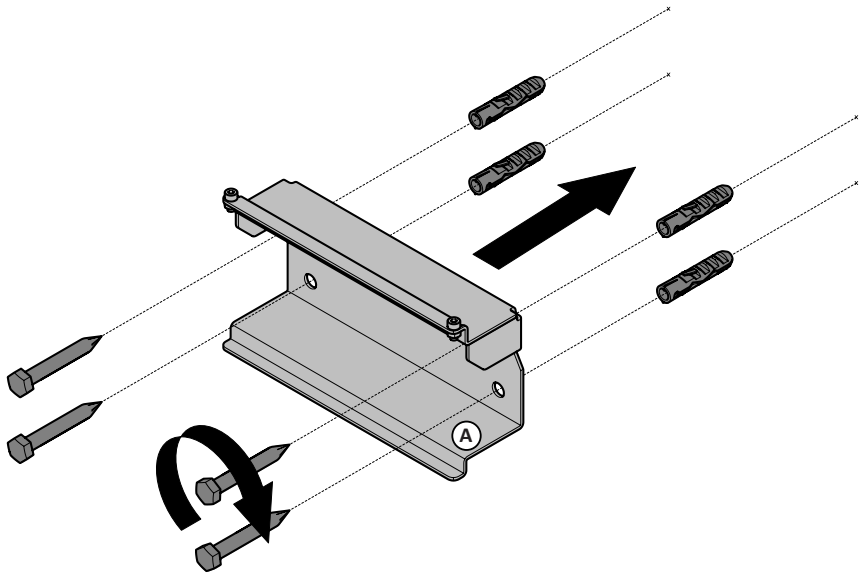


4x (M8 x 60)



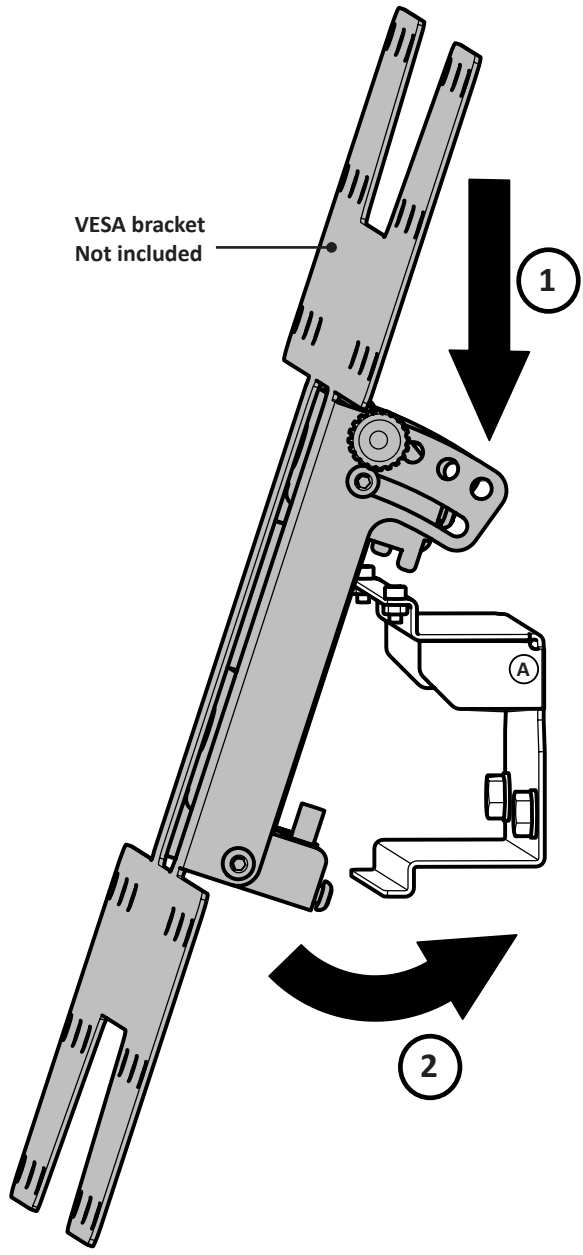
4x (M10 x 50 plugs)

1 Mount Wall bracket (A) on the

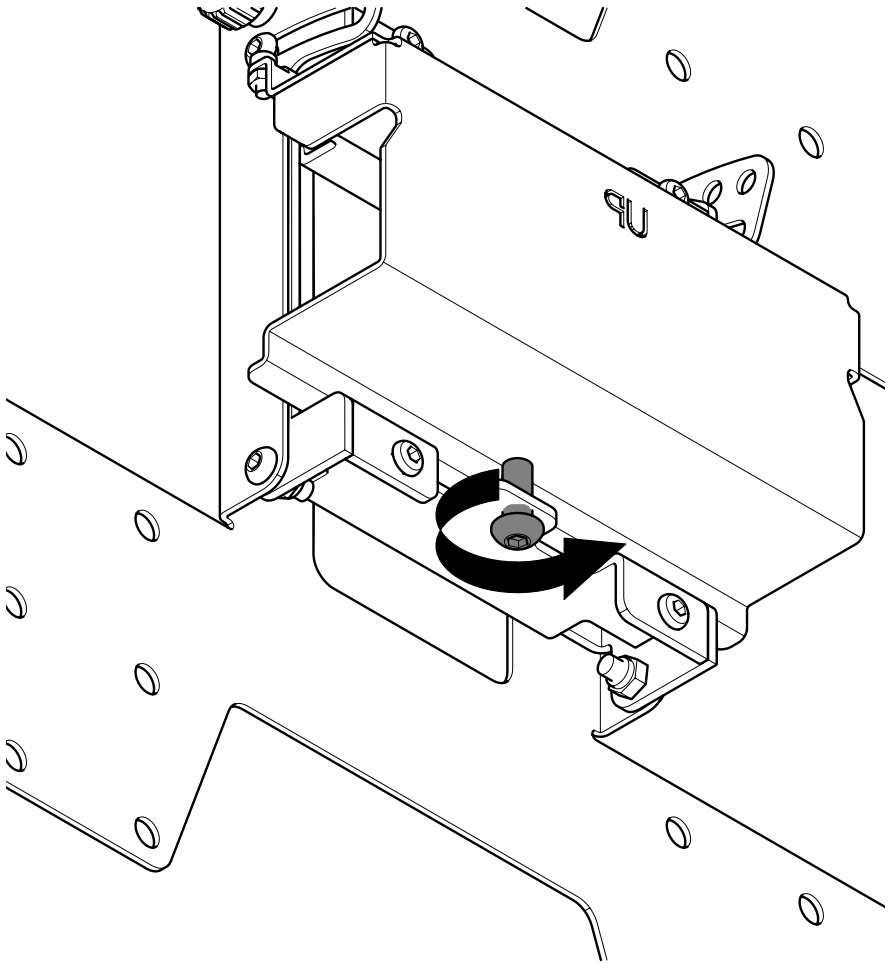


WARNING: Ensure that appropriate wall fixings are used.

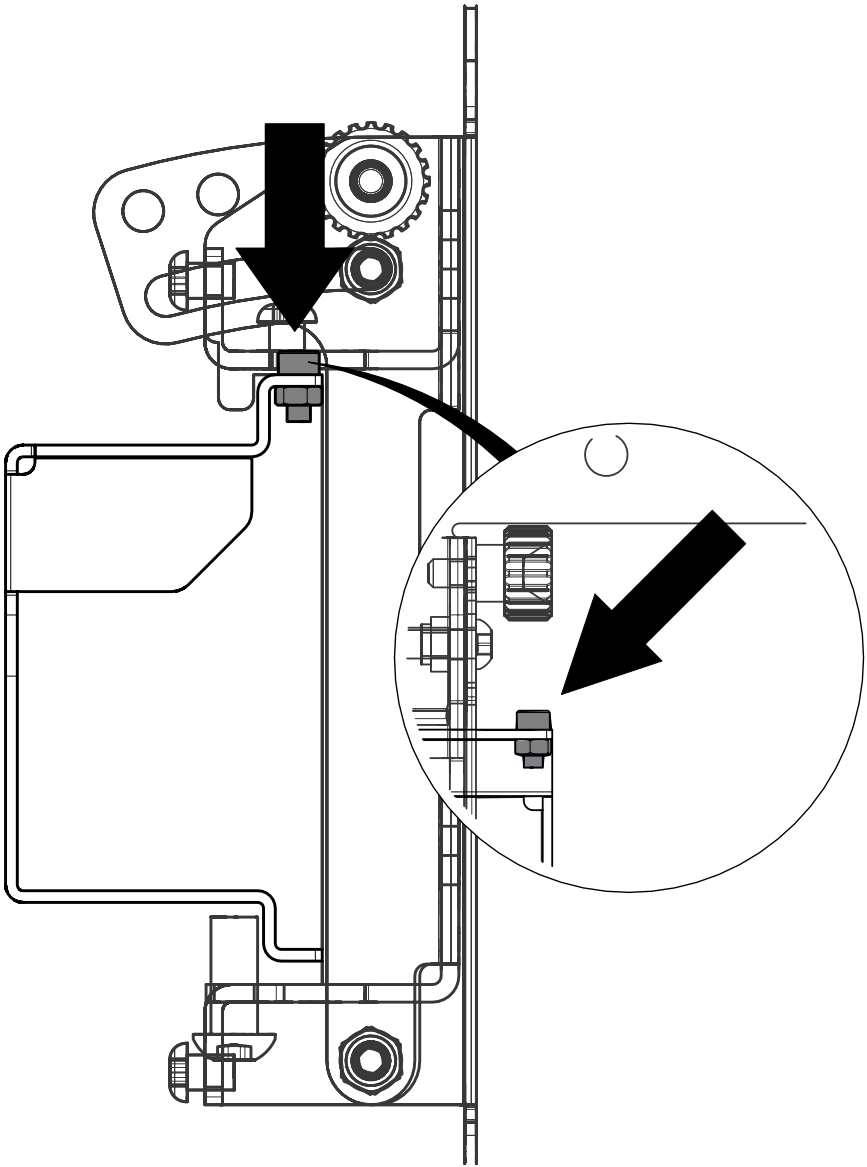
2 Mount VESA bracket on to the Wall mount (A)



3 Tighten fixing on VESA bracket



Leave fixings in for safety reasons



Need help? Contact us



ergonomic.solutions/about/contact-us



spacepole.com/about/contact-us